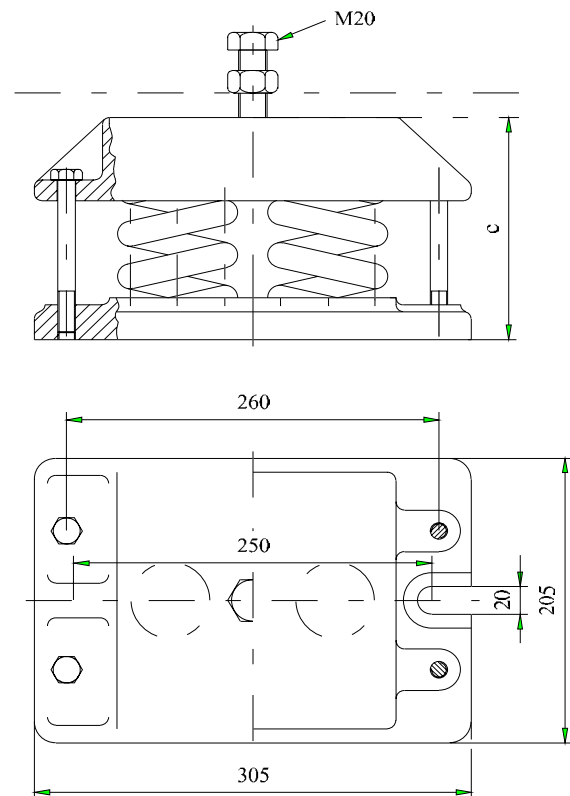


relax and allow us  
to take control

## Vibration Isolator P 80 preferred range



### Application:

Vibration isolation of machines and installations

### Technical data:

Load up to 29 kN.

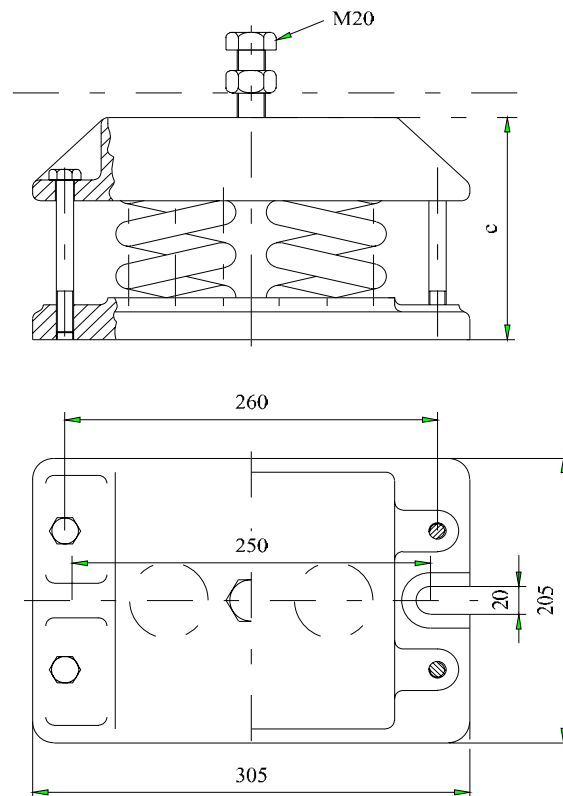
### Design:

Compact steel cast housing, helical spring following DIN 2098.

type	allowed load [kN]	C vert [kN/cm]	natural frequency [Hz]	height c [mm]		weight [kg]
				at delivery	under load	
P80 / 1512	2,76 - 4,60	0,41	1,93 - 1,49	240	235 - 190	20,0
P80 / 1413	4,56 - 7,59	0,95	2,28 - 1,77	210	200 - 168	20,0
P80 / 429	5,36 - 8,93	2,28	3,26 - 2,53	135	129 - 113	20,0
P80 / 2312	6,08 - 10,13	1,68	2,63 - 2,04	185	181 - 157	20,0
P80 / 2213	8,39 - 13,99	3,38	3,17 - 2,46	185	177 - 161	20,0
P80 / 2113	8,72 - 14,53	5,54	3,99 - 3,09	145	140 - 130	20,0
P80 / 3312	9,11 - 15,19	2,52	2,63 - 2,04	185	181 - 157	20,0
P80 / 4312	12,15 - 20,25	3,36	2,63 - 2,04	185	181 - 157	20,0
P80 / 4213	16,79 - 27,98	6,76	3,12 - 2,46	185	177 - 161	20,0
P80 / 4113	17,44 - 29,06	11,08	3,99 - 3,09	145	140 - 130	20,0

relax and allow us  
to take control

## Vibration Isolator P 80 further structural shapes



**Application:**  
Vibration isolation of machines and installations

**Technical data:**  
Load up to 21,80 kN.

**Design:**  
Compact steel cast housing, helical spring following DIN 2098.

type	allowed load [kN]	C vert [kN/cm]	natural frequency [Hz]	height c [mm]		weight [kg]
				at delivery	under load	
P80 / 437	2,72 - 4,54	0,84	2,78 - 2,15	135	130 - 108	20,0
P80 / 3211	5,67 - 9,45	2,28	3,17 - 2,46	185	174 - 158	20,0
P80 / 519	6,41 - 10,69	3,80	3,85 - 2,98	135	123 - 112	20,0
P80 / 529	6,69 - 11,16	2,85	3,26 - 2,53	135	129 - 113	20,0
P80 / 4211	7,56 - 12,60	3,04	3,17 - 2,46	185	174 - 158	20,0
P80 / 4111	8,39 - 13,99	5,52	4,06 - 3,14	135	134 - 124	20,0
P80 / 5211	9,45 - 15,75	3,80	3,17 - 2,46	185	174 - 158	20,0
P80 / 3226	9,89 - 16,48	14,64	6,08 - 4,71	115	110 - 106	20,0
P80 / 4112	10,15 - 16,91	6,44	3,98 - 3,09	145	141 - 131	20,0
P80 / 5111	10,49 - 17,48	6,90	4,06 - 3,14	135	134 - 124	20,0
P80 / 3213	12,59 - 20,98	5,07	3,17 - 2,46	185	177 - 161	20,0
P80 / 3113	13,08 - 21,80	8,31	3,99 - 3,09	145	140 - 130	20,0