

relax and allow us  
to take control

## Air Spring MBZ



### Technical qualities:

Vertical and horizontal stiffness ca. 1:1, no anchorage necessary for assembly, natural frequency: ca. 3 - 5 Hz

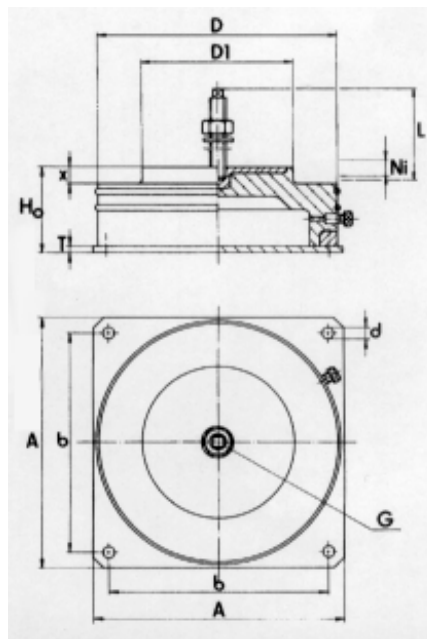
### Construction:

Membrane convolution air spring consisting of elastomer metal housing with screwed base plate, elastomer air chamber with steel rings reinforced.

### Range of level regulation

Levelling range:  $\pm 6$  mm

### Dimensions



F / p-characteristic line

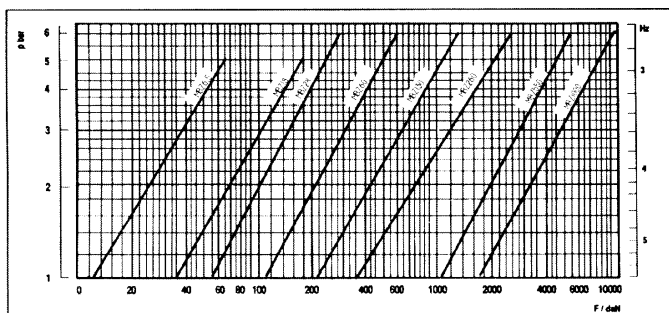


Table of measurements

Type	D (mm)	Ho (mm)	D1 (mm)	screw thread	L (mm)	Ni (mm)	X (mm)	A (mm)	b (mm)	d (mm)	T (mm)	Weight (kg)	Load Capacity (kN)
MBZ 6,5	73	65	28	M 10	80	$\pm 5$	12	75	60	7	3	0,3	0,65
MBZ 18	105	65	52	M 12	100	$\pm 5$	12	105	89	7	3	0,7	1,8
MBZ 28	127	90	60	M 12	100	$\pm 6$	15	130	108	7	3	1,0	2,8
MBZ 60	172	90	96	M 12	100	$\pm 6$	15	175	153	7	3	1,8	6,0
MBZ 130	245	90	138	M 16	120	$\pm 6$	15	255	215	14	5	5,4	13,0
MBZ 260	338	90	205	M 16	120	$\pm 6$	15	343	305	14	5	10,7	26,0
MBZ 550	468	90	300	M 24	130	$\pm 6$	15	470	406	20	6	29,1	55,0
MBZ 1000	610	90	430	M 24	130	$\pm 6$	15	610	508	20	6	38,6	100,0