

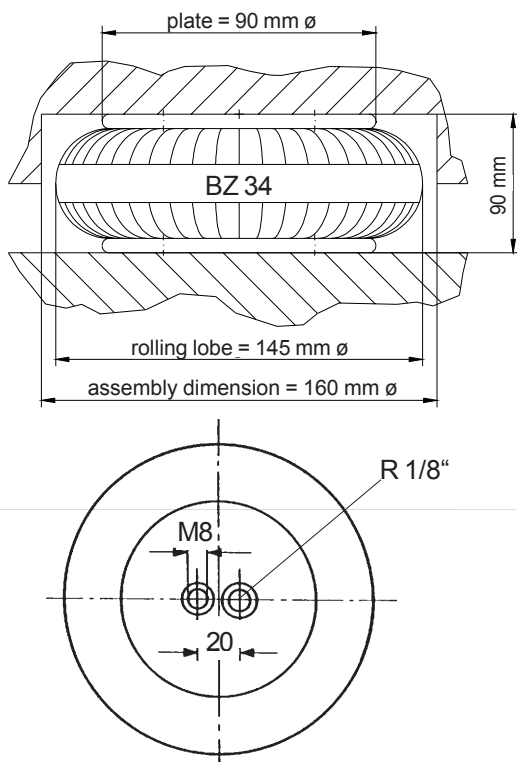
relax and allow us
to take control

Air Spring BZ 34



Technical data

Min./ max. height: 50/ 105 mm
 Restoring force for min. height: 120 N
 Weight: 0,87 kg



An elastomere belt with vulcanized wire braid reinforcement is fixed and sealed between two steel plates. The elastomere belt shows excellent dynamic properties and good resistance to chemicals (esp. to compressed air containing oil). Air inlets are integrated into the top plate, blind nuts into the top and bottom plate.

Dynamic spring data for vibration isolation at 90 mm operating height and $f_{err} = 1$ Hz.

pressure [bar]	loading capacity [kN]	stiffness [kN/m]	natural frequency [Hz]
2	1,1	55	3,5
4	2,3	99	3,3
6	3,4	150	3,3

Force-way table for single convolution air springs force in [kN]

height [mm]	1 bar	2 bar	3 bar	4 bar	5 bar	6 bar	7 bar
60	0,9	1,8	2,6	3,5	4,3	5,2	6,1
80	0,7	1,4	2,1	2,8	3,5	4,2	4,9
100	0,4	0,8	1,2	1,6	2,0	2,5	3,0

