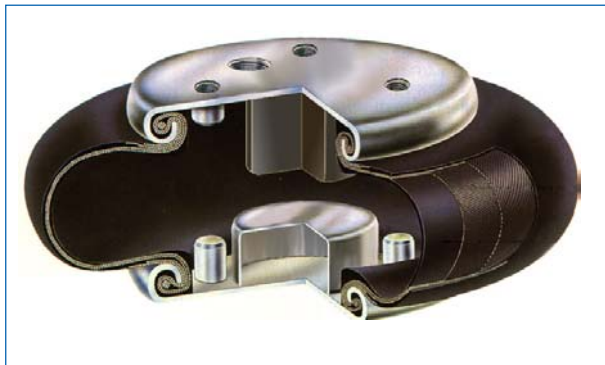


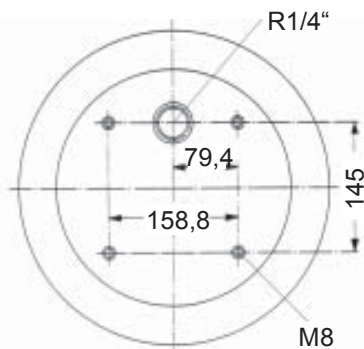
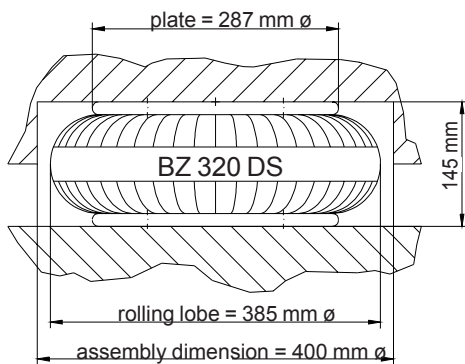
relax and allow us  
to take control

## Air Spring BZ 320 DS



### Technical data

Construction with integrated buffer  
 Min./ max. height: 100 mm/ 170 mm  
 Weight: 6,7 kg  
 Buffer contact: 112 mm



An elastomere belt with vulcanized wire braid reinforcement is fixed and sealed between two steel plates. The elastomere belt shows excellent dynamic properties and good resistance to chemicals (esp. to compressed air containing oil).

Air inlets are integrated into the top plate, blind nuts into the top and bottom plate. The air spring is equipped with an interior limit stop, which keeps the spring from total lowering when depressurized.

Dynamic spring data for vibration isolation at 145 mm operating height and  $f_{err} = 1$  Hz.

pressure [bar]	loading capacity [kN]	stiffness [kN/m]	natural frequency [Hz]
2	10,0	245	2,5
4	21,0	440	2,3
6	32,0	650	2,2

Force-way table for single convolution air springs force in [kN]

Height [mm]	1 bar	2 bar	3 bar	4 bar	5 bar	6 bar	7 bar
60	8,0	17,0	25,0	33,0	42,0	50,0	59,0
90	7,5	15,0	23,0	30,0	38,0	46,0	54,0
120	6,0	13,0	20,0	26,0	33,0	40,0	47,0
150	4,5	9,0	14,5	19,0	25,0	30,0	35,0

